

# U882 CAPSULPUMP

## Pump Fish quickly with less damage.

Fish pumping couldn't be faster or simpler than with a submersible Capsulpump. The Capsulpump creates positive water pressure to push fish and water through the hose with no priming required.

### Portable

The Capsulpump can be moved from boat to boat or used dockside to unload fish if water is reintroduced in to the hold. Lightweight construction of corrosion - resistant aluminum body and impeller, and fiberglass motor housing on most models. The capsul pump uses lightweight, flexible hose than can be rolled up for compact storage on deck.

### Installation

Installation is easy - the pump can generally be tied into the existing hydraulic system. No auxiliary priming pump is needed.

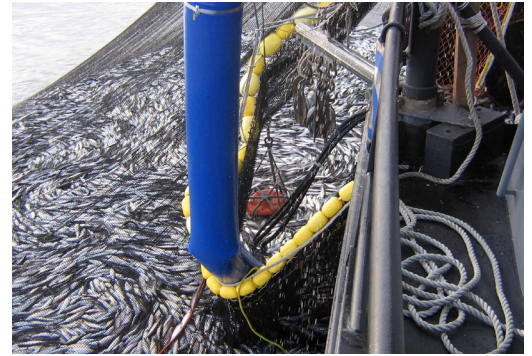
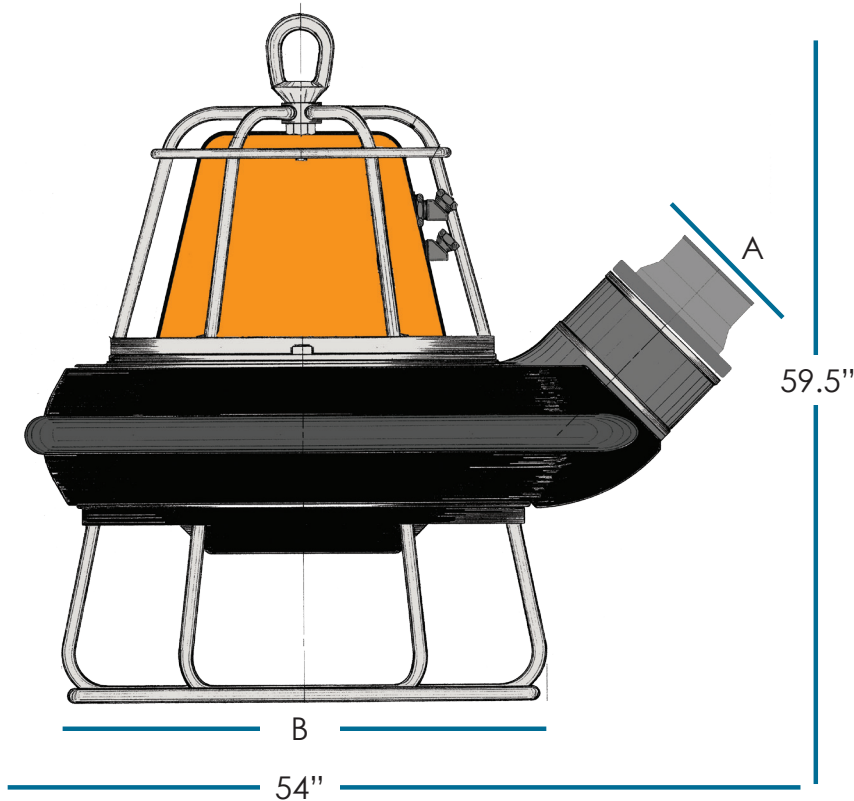
### Effective with sounding fish

Occasionally during pursing and pumping operations some species of fish will sound. A MARCO Capsulpump can be lowered to a depth of 50 feet so you can continue to pump fish.



Shown with optional Rainway Hose Adapter





### U882 Specifications

Recommended Minimum Hydraulic Flow	60GPM @ 2500 PSI
Maximum Hydraulic Flow	68GPM @ 2500 PSI
Pumping Rate Typical*	1200 Tons/Hour
Weight	930 LBS
Construction	Cast Steel housing and impeller

\*Typical Pumping rate is 50% fish and 50% water mixture at an average distance of 15 feet between water level and top of dewatering screen with minimal bending of discharge hose

Output Options (A) - Pump comes standard with 12" output. Optional 10" Rainway adapter is available and can be installed at MARCO .

Input Options (B) - Pump comes standard with inlet cage as show above. Optional pre-rotation inlet or cod end adapter for trawling applications are available.

## Smith Berger Marine, Inc.

7915 10<sup>th</sup> Ave. S., Seattle, WA 98108 USA

Tel. 206.764.4650 - Toll Free 888.726.1688 - Fax 206.764.4653

E-mail: [sales@smithberger.com](mailto:sales@smithberger.com) - Web: [www.smithberger.com](http://www.smithberger.com)