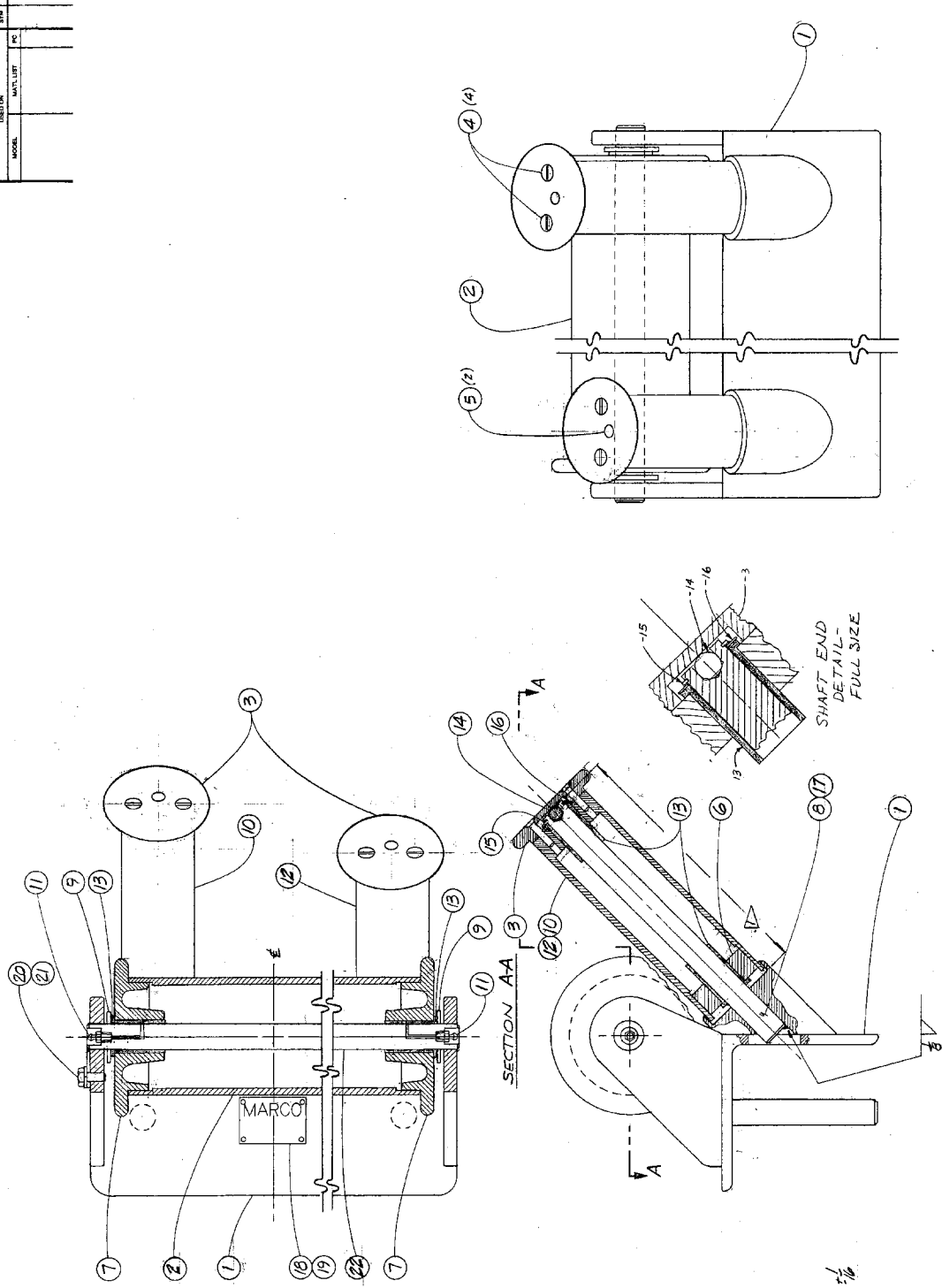


REV.	DATE	BY	CHK

REVISION	DATE	BY	CHK

MODEL	MATERIAL	PC



NOTES
 ▽ PRB - 10 3/16, PG IT - 8 1/4
 SHAFT POSITION

REV.	DATE	BY	CHK

MODEL	MATERIAL	PC

THIS DRAWING IS THE PROPERTY OF MARCO SEATTLE. IT IS NOT TO BE REPRODUCED OR TRANSMITTED IN ANY FORM OR BY ANY MEANS, ELECTRONIC OR MECHANICAL, INCLUDING PHOTOCOPYING, RECORDING, OR BY ANY INFORMATION STORAGE AND RETRIEVAL SYSTEM, WITHOUT THE WRITTEN CONSENT OF MARCO SEATTLE.

REV.	DATE	BY	CHK

REV.	DATE	BY	CHK

MARCO SEATTLE
 200 N. Greenwood Way, Seattle, WA 98103, U.S.A.
 BULMARK ROLLER
 A ASSEMBLY

REV.	DATE	BY	CHK

