

OFFSHORE LONGLINE HAULERS



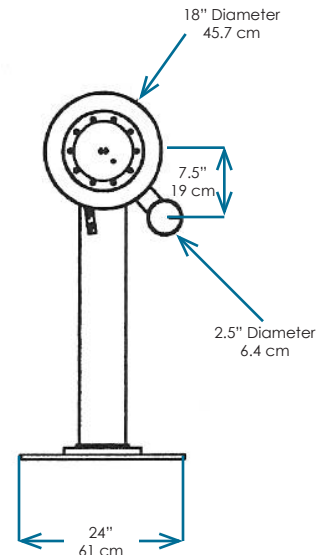
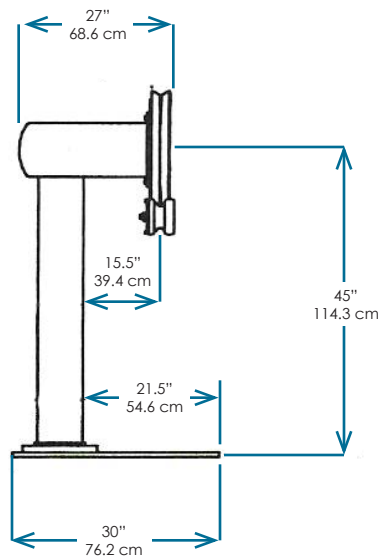
18" Vertical Hauler no Shroud



24" Vertical Hauler with Shroud

- Large diameter sheaves for maximum grip and knot handling.
- Vertical sheave for ease in coiling and high speed buoyline hauling.
- Round faired design for fewer hook hang-ups.
- Adjustable tailing idler and line splitter positions.
- Rugged Galvanized construction.
- Optional shroud available for use with longer gangions - show above on 24" Hauler

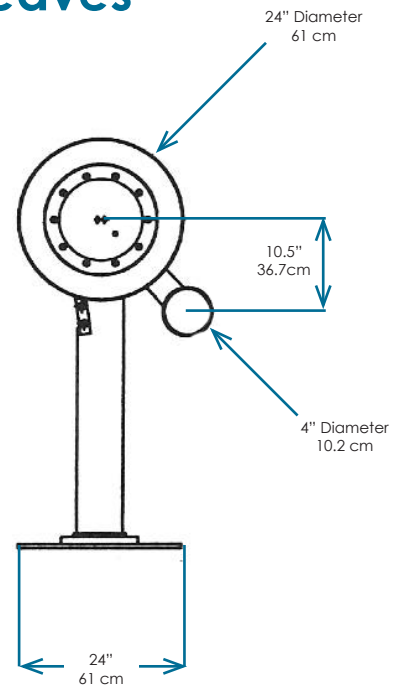
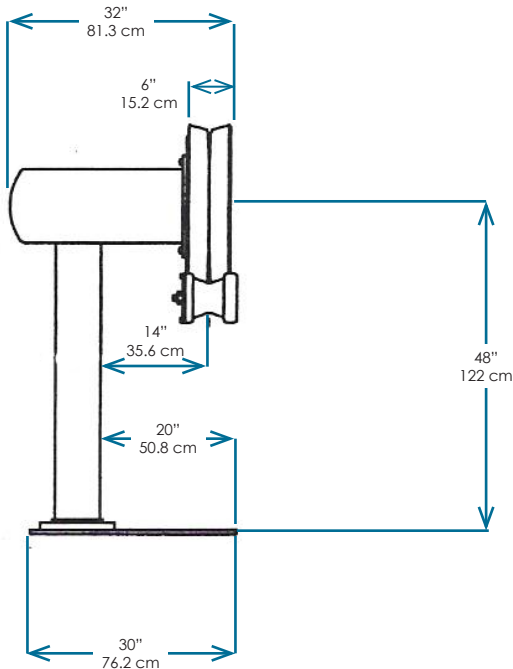
Vertical Hauler with 18" Sheaves



Specifications:

Weight	475 Lbs	215.9 Kgs.
Hydraulic Flow Required	16 - 20 GPM at 2000 PSI	

Vertical Hauler with 24" Sheaves



Specifications:

Weight	650 Lbs	295.5 Kgs.
Hydraulic Flow Required	20 GPM at 2000 PSI	

Smith Berger Marine, Inc.

7915 10th Ave. S., Seattle, WA 98108 USA

Tel. 206.764.4650 - Toll Free 888.726.1688 - Fax 206.764.4653

E-mail: sales@smithberger.com - Web: www.smithberger.com